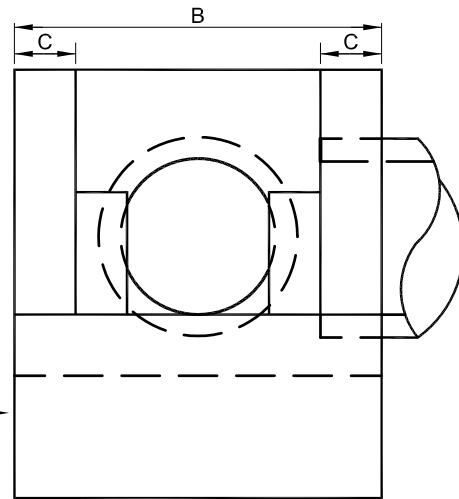
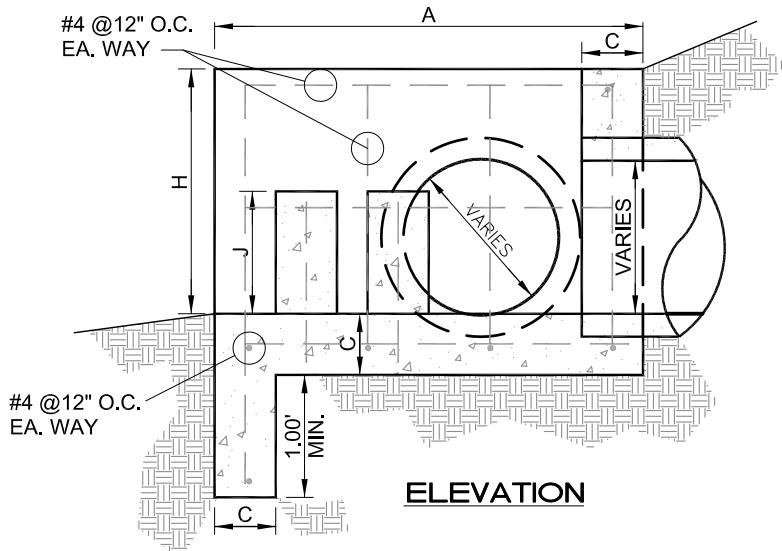


**PLAN**



**FRONT**

REINFORCEMENT NOT SHOWN FOR CLARITY.



**ELEVATION**

# HEADWALL - TYPE "C"

NOT TO SCALE

PIPE SIZE	DIMENSIONS								C.Y. CONC.
	A	B	C	D	E	F	H	J	
15"	3'-6"	3'-0"	6"	5"	1'-2"	3"	2'-0"	12"	0.56
18"	4'-0"	3'-0"	6"	6"	1'-0"	4"	2'-0"	12"	0.62
21"	4'-6"	3'-6"	6"	8"	1'-2"	5"	2'-6"	1'-6"	0.86
24"	5'-0"	3'-6"	6"	9"	1'-0"	6"	2'-6"	1'-6"	0.92
30"	6'-0"	4'-0"	9"	12"	0'-6"	7"	3'-0"	2'-0"	1.90
36"	7'-0"	4'-6"	9"	1'-4"	0'-4"	8"	3'-6"	2'-0"	2.52
42"	8'-0"	5'-0"	9"	1'-6"	0'-6"	9"	4'-0"	2'-6"	3.25
48"	9'-0"	5'-6"	9"	1'-9"	0'-6"	10"	4'-6"	3'-0"	4.08
54"	10'-0"	6'-0"	9"	2'-0"	0'-6"	11"	5'-0"	3'-6"	5.00
60"	11'-0"	6'-6"	9"	2'-3"	0'-6"	12"	5'-6"	3'-6"	5.94

CONCRETE TO BE CLASS "AS", 4000 PSI.

<i>CITY OF LAKELAND ENGINEERING DIVISION</i>		
<b>HEADWALL TYPE "C"</b>		
REV.	DESCRIPTION	DATE
1	ORIGINAL ISSUE	8/2008